

# Convair suspended GSE Gas Fired Heater



## Data Sheet

### DESCRIPTION

The Colt Convair GSE range consists of a series of compact gas fired air heaters with heat outputs from 20kW up to 95kW.

The heaters are stand-alone units and are indirectly fired, giving on-the-spot heating, a high air flow rate and a high efficiency. The air heaters are suitable for use in many environments, from industrial buildings to department stores, showrooms, garages and sports centres.

Colt Convair GSE air heaters comply with the latest European regulations and are CE approved.

The Colt Convair Suspended warm-air heater range is available in four versions and can be supplied with a variety of heat outputs.

### FEATURES & BENEFITS

- High efficiency.
- High air output.
- CE approved.
- Low noise levels.
- Compact design.
- Easy to install.
- Low maintenance requirements.
- Long service life.

### Standard equipment

- CE approved PIN: 0063AQ4920
- ISO 9001
- Heat exchanger stainless steel 409
- Stainless steel burner AISI 321
- Efficiency  $\geq 90\%$
- Electronic ignition
- Horizontal louvres
- Aluzinc finish

### Accessories:

- Isolator switch
- Vertical louvres
- Wall mounting brackets
- Set shock absorbers for wall mounting brackets

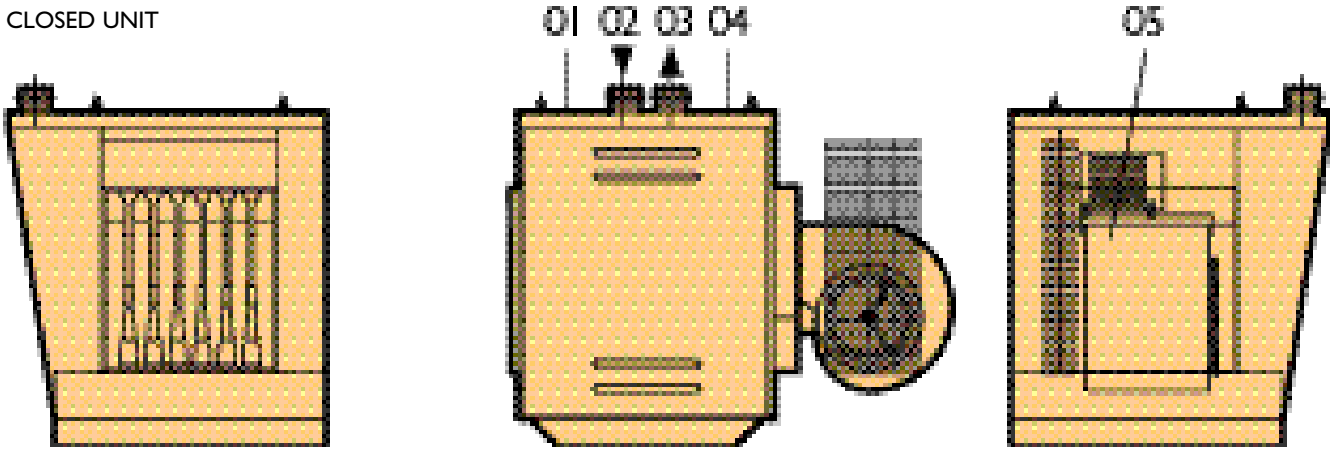


**Convair GSE** Closed unit

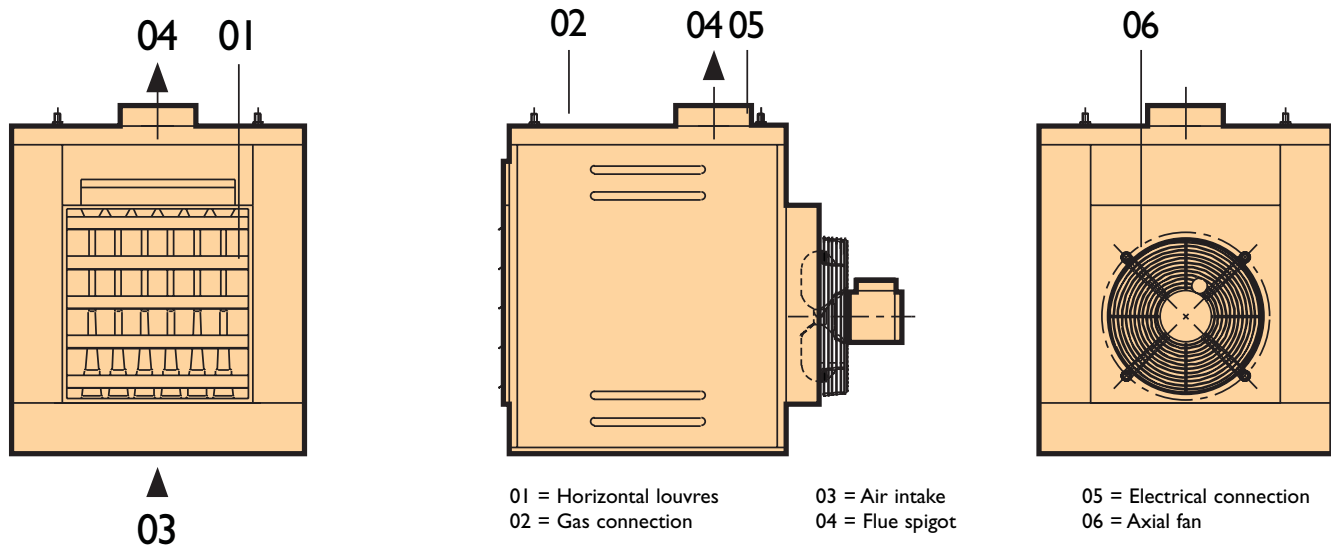


**Convair GSE-O** Open unit

CLOSED UNIT



OPEN UNIT



**Open Heater with Natural Draught Flue**  
**GSE / SA - Axial Fan**  
**GCE / SC - Centrifugal Fan**

Convector indirect-fired fully automatic gas warm-air heaters are particularly noted for their lightness, low noise output during operation and their short warm-up time.

Available with either axial or centrifugal fans, the standard heater consists of a corrosion-resistant Aluzinc finished casing containing a stainless steel gas burner and a corrosion resistant heat exchanger.

Both SA and SC models are equipped with complete regulation and safety apparatus and have an integral draught diverter system. The combustion air is drawn in from the room in which the heaters are mounted.

**Ignition**

Pilot light (with thermocouple safety device)

**Optional Extras**

- Piezo ignition
- Fully automatic electronic ignition with optional remote reset

**Room Sealed Heater with Flue Booster**  
**GSE / PA - Powered Flue with Axial Fan**  
**GCE / PC - Powered Flue with Centrifugal Fan**

These two versions are the most sophisticated models available and are suitable for virtually all applications, including areas with under or over pressure. They are fitted with a flue booster fan. The flue booster is suitable for use with both horizontal (through the wall) and vertical (through the roof) flues. The flue booster has sufficient power, depending on the size and capacity chosen, to overcome the resistance provided by 6 metres of straight inlet and outlet pipes, including roof/wall terminations.

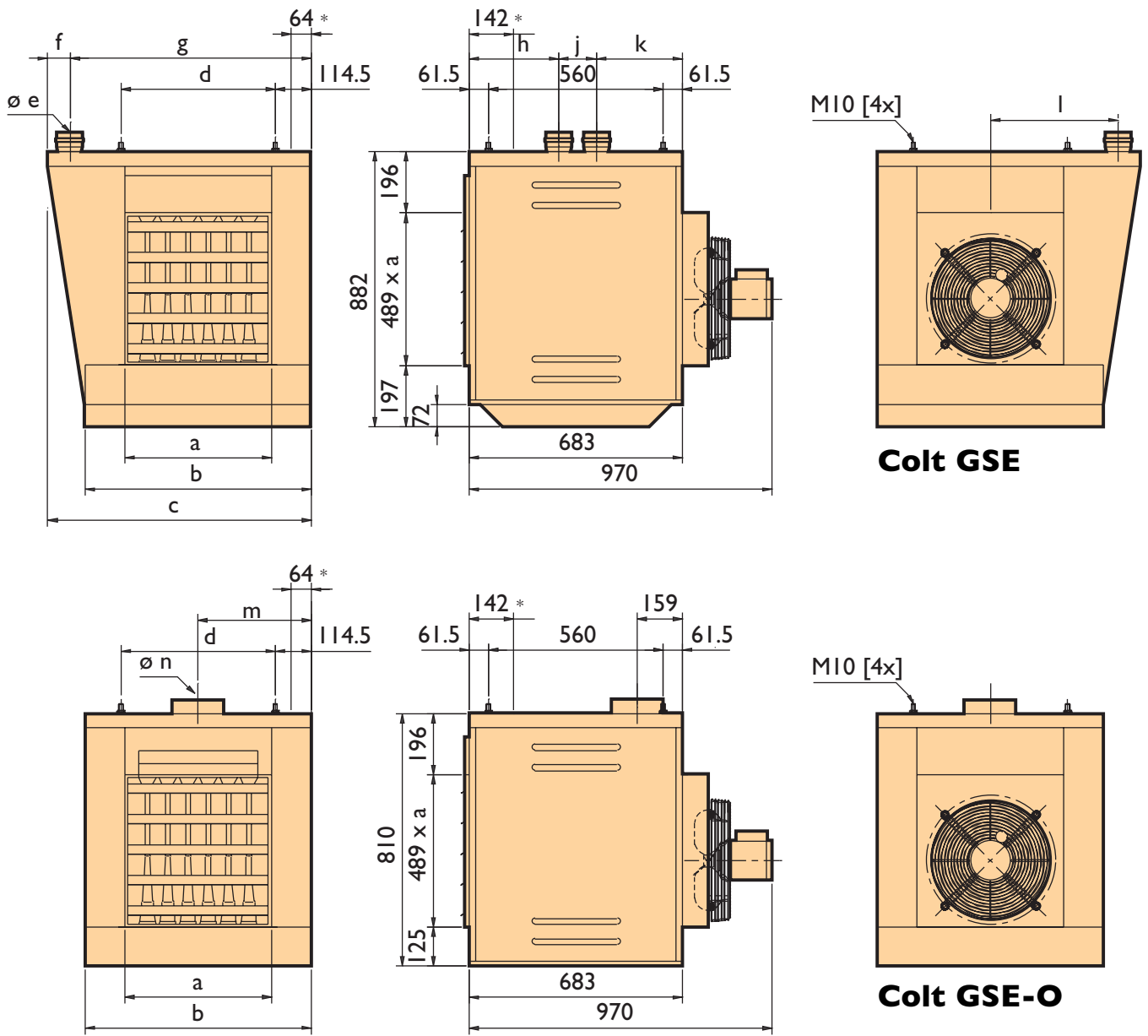
Both PA and PC versions can be supplied with a complete horizontal or vertical flue.

As standard, these heaters are equipped with:

- Complete regulation and safety apparatus
- Electronic ignition
- Ionisation safety device
- Fault indicator lamp

**Optional Extras**

- Remote reset
- LPG. Where natural gas is not available, LPG models can be supplied



## DIMENSIONS

| Type | a    | b    | c    | d    | e   | f  | g    | h   | j   | k   | l     | m     | n   |
|------|------|------|------|------|-----|----|------|-----|-----|-----|-------|-------|-----|
| 18   | 340  | 594  | 714  | 365  | 80  | 72 | 642  | 276 | 120 | 287 | 345   | 297   | 150 |
| 21   | 340  | 594  | 714  | 365  | 80  | 72 | 642  | 276 | 120 | 287 | 345   | 297   | 150 |
| 24   | 405  | 659  | 779  | 430  | 80  | 72 | 707  | 276 | 120 | 287 | 377.5 | 329.5 | 150 |
| 28   | 405  | 659  | 779  | 430  | 80  | 72 | 707  | 276 | 120 | 287 | 377.5 | 329.5 | 150 |
| 33   | 470  | 724  | 844  | 495  | 80  | 72 | 772  | 276 | 120 | 287 | 410   | 362   | 200 |
| 37   | 470  | 724  | 844  | 495  | 80  | 72 | 772  | 276 | 120 | 287 | 410   | 362   | 200 |
| 44   | 600  | 854  | 974  | 625  | 80  | 72 | 902  | 276 | 120 | 287 | 475   | 427   | 200 |
| 49   | 600  | 854  | 974  | 625  | 80  | 72 | 902  | 276 | 120 | 287 | 475   | 427   | 200 |
| 55   | 730  | 984  | 1104 | 755  | 100 | 72 | 1032 | 256 | 140 | 287 | 540   | 492   | 250 |
| 59   | 730  | 984  | 1104 | 755  | 100 | 72 | 1032 | 256 | 140 | 287 | 540   | 492   | 250 |
| 66   | 860  | 1114 | 1289 | 885  | 100 | 92 | 1197 | 231 | 140 | 312 | 640   | 557   | 250 |
| 74   | 860  | 1114 | 1289 | 885  | 100 | 92 | 1197 | 231 | 140 | 312 | 640   | 557   | 250 |
| 88   | 1120 | 1374 | 1549 | 1145 | 100 | 92 | 1457 | 231 | 140 | 312 | 770   | 687   | 300 |
| 98   | 1120 | 1374 | 1549 | 1145 | 100 | 92 | 1457 | 231 | 140 | 312 | 770   | 687   | 300 |
| 104  | 1120 | 1374 | 1549 | 1145 | 100 | 92 | 1457 | 231 | 140 | 312 | 770   | —     | —   |

\*) Gas connection

## TECHNICAL DATA

| T   | A    | B     | C                               | D                               | E    | F                 | G  | H   | I   | J  | K    | L    |
|-----|------|-------|---------------------------------|---------------------------------|------|-------------------|----|-----|-----|----|------|------|
|     | kW   | kW    | m <sup>3</sup> <sub>st</sub> /h | m <sup>3</sup> <sub>st</sub> /h | kg/h | m <sup>3</sup> /h | K  | kg  | kg  | m  | Watt | Watt |
| 18  | 20.4 | 22.7  | 2.7                             | 2.4                             | 1.76 | 2190              | 29 | 100 | 86  | 13 | 620  | 250  |
| 21  | 21.8 | 24.2  | 3.0                             | 2.6                             | --   | 2190              | 31 | 100 | 86  | 13 | 620  | 250  |
| 24  | 25.1 | 27.9  | 3.3                             | 2.9                             | 2.17 | 2730              | 29 | 106 | 91  | 15 | 620  | 250  |
| 28  | 27.2 | 30.2  | 3.6                             | 3.1                             | --   | 2730              | 31 | 106 | 91  | 15 | 620  | 250  |
| 33  | 30.2 | 33.5  | 4.0                             | 3.5                             | 2.60 | 3320              | 29 | 113 | 98  | 18 | 620  | 250  |
| 37  | 32.7 | 36.3  | 4.4                             | 3.8                             | --   | 3320              | 31 | 113 | 98  | 18 | 620  | 250  |
| 44  | 40.2 | 44.7  | 5.4                             | 4.7                             | 3.47 | 4425              | 29 | 131 | 115 | 24 | 620  | 250  |
| 49  | 43.6 | 48.4  | 5.9                             | 5.1                             | --   | 4425              | 31 | 131 | 115 | 24 | 620  | 250  |
| 55  | 50.2 | 55.8  | 6.6                             | 5.8                             | 4.33 | 5525              | 29 | 147 | 130 | 26 | 620  | 250  |
| 59  | 54.5 | 60.5  | 7.1                             | 6.3                             | --   | 5525              | 31 | 147 | 130 | 26 | 620  | 250  |
| 66  | 60.3 | 67.0  | 8.0                             | 7.0                             | 5.21 | 6635              | 29 | 170 | 146 | 28 | 980  | 500  |
| 74  | 65.3 | 72.6  | 8.7                             | 7.6                             | --   | 6635              | 31 | 170 | 146 | 28 | 980  | 500  |
| 88  | 80.4 | 89.3  | 10.6                            | 9.3                             | 6.94 | 8845              | 29 | 205 | 179 | 30 | 980  | 500  |
| 98  | 87.1 | 96.8  | 11.6                            | 10.1                            | --   | 8845              | 31 | 205 | 179 | 30 | 980  | 500  |
| 104 | 91.8 | 102.0 | 12.5                            | 10.5                            | --   | 8845              | 33 | 205 | —   | 28 | 980  | 500  |
| 104 | 95.8 | 106.5 | 12.8                            | 11.1                            | --   | 8845              | 34 | 205 | —   | 28 | 980  | 500  |

|                                     |                                      |                                  |                        |
|-------------------------------------|--------------------------------------|----------------------------------|------------------------|
| <b>T</b> Type                       | <b>E</b> Gas consumption G31 (15°C)K | <b>J</b> Throw                   | <b>G25</b> Natural gas |
| <b>A</b> Nominal output             | <b>F</b> Air displacement (15°C)K    | <b>K</b> Power consumption GSE   | <b>G20</b> Natural gas |
| <b>B</b> Nominal input (net val.)   | <b>G</b> Delta T                     | <b>L</b> Power consumption GSE-O | <b>G31</b> Propane     |
| <b>C</b> Gas consumption G25 (15°C) | <b>H</b> Weight GSE                  |                                  | <b>G30</b> Butane      |
| <b>D</b> Gas consumption G20 (15°C) | <b>I</b> Weight GSE-O                |                                  |                        |

People feel better in Colt conditions



Architectural Solutions

Climate Control

Smoke Control

Service and Maintenance

**Colt International Limited**

New Lane Havant

Hampshire PO9 2LY

Tel +44(0)23 9245 1111

Fax +44(0)23 9245 4220

info@coltgroup.com

www.coltgroup.com