

Labyrinth

Sound attenuated natural ventilator



Data Sheet

Labyrinth is a natural louvred inlet and extract ventilator designed especially for industries which produce large quantities of heat such as steel works, rolling mills, foundries and power stations. It has aerodynamically designed louvres to provide continuous weatherproof ventilation.

Labyrinth is compact, for either roof or wall installation. Its aerodynamically designed louvres provide continuous weatherproof ventilation. Rainwater is collected within the ventilator and drained away via side channels.

VERSIONS

- Labyrinth /1S is constructed for optimum sound attenuation
- Labyrinth /2S is constructed for optimum ventilation capacity

The body of the ventilator contains a series of louvres which create a series of labyrinthine channels which prevent rain entry and reflect noise, whilst permitting weatherproof ventilation.



FURTHER OPTIONS

- Shutter section - to prevent unnecessary loss of heat and to regulate the air capacity. This is either pneumatically or electrically operated
- Brush seals - fitted to shutter sections to increase airtightness when closed
- Sound absorbing material – fitted to the louvres
- Sound absorbers – fitted underneath the louvres

DIMENSIONS

The length and width of the Labyrinth are practically unlimited. The length is divided into pitches:

- Labyrinth /1S - 400mm (200mm + 200mm)
- Labyrinth /2S - 250mm (100mm + 150mm)

FINISHES

Labyrinth is available as mill finish, with a polyester powder coated to a RAL colour, or to a special finish.



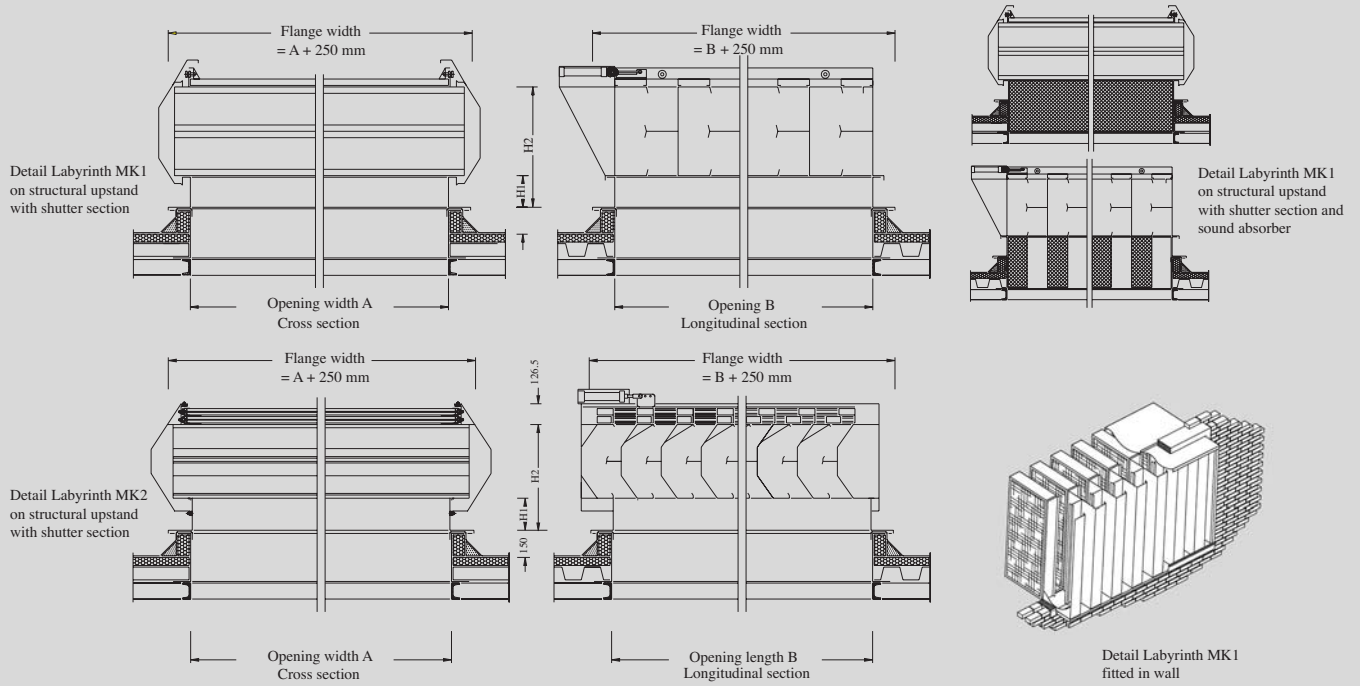
FEATURES AND BENEFITS

- Lightweight – good for hoisting and installation
- Low profile – lessens impact of the wind on the roof
- High levels of attenuation
- Speedy installation
- Suitable for either inlet or extraction



Colt International Limited

New Lane Havant
 Hampshire PO9 2LY
 Tel +44(0)23 9245 1111
 Fax +44(0)23 9245 4220
 info@coltgroup.com
 www.coltgroup.com



TYPE	DIMENSIONS (mm)						WEIGHTS (kg/m ²)		
	Opening width	Opening length	Base height	Structural height	Width	Length	With sound absorbers	Without sound absorbers	Shutter section
MK1	A	B	H1	H2	E	F			
200	minimum	number	200	790	A	number	-	26	6.5 x geometric area
200A	500	of spaces	200	790	+	of spaces	-	28	
500	to		550	1140			55	30	
750	maximum	X	800	1390	490	X	65	32	
1000	3800	400	1050	1640		400	75	34	
MK2									
200	from	number	200	785			-	29	10.9 x geometric area
500	750	of spaces	500	1085			61	34	
750	to		X	750	1325			72	
1000	3750	250	1000	1585			84	38	

Please note that these are averages

TYPE	OCTAVE BAND CENTRE FREQUENCY (Hz)					
	125	250	500	1000	2000	4000
MK1						
200	2.0	3.0	6.0	9.0	9.0	9.0
200A	3.0	3.5	13.5	21.0	19.0	19.5
500	4.0	9.0	16.0	23.0	20.0	16.0
750	5.0	11.0	21.0	28.0	24.0	18.0
1000	6.0	14.0	25.0	33.0	28.0	20.0
MK2						
200	0.0	2.0	6.0	6.0	5.0	6.0
500	1.0	5.0	14.0	22.0	18.0	15.0
750	2.0	7.0	17.0	27.0	22.0	18.0
1000	2.0	9.0	18.0	30.0	27.0	18.0

* typical values. More exact values can be provided. These depend upon the type of sound absorbers fitted.