

# Tornado

Mechanical ventilator



## Data Sheet

Tornado is a powered extract ventilator designed to deal with localised air quality and overheating problems as well as to provide general comfort control. It has a lightweight low silhouette and is suited to most industrial and commercial buildings.

A non-return shutter opens when the fan is in use and closes when the fan stops.

Tornado is available as mill finish or with a polyester powder coating to a RAL colour.

### OPTIONS

Options available are:

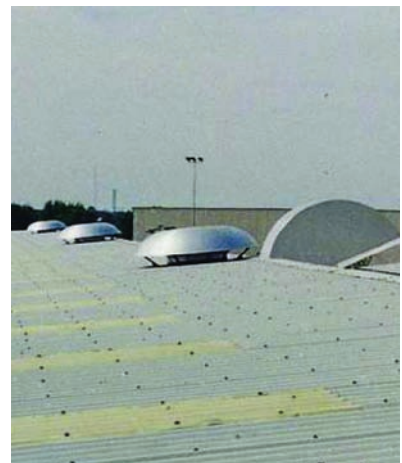
- 630mm and 800mm nominal fan sizes.
- Low noise option for 630mm units
- High flow option for the 800mm version providing best extract performance
- An Export version (60Hz)

All units are made from lightweight, corrosion resistant aluminium.

### INSTALLATION

The ventilator can be orientated at any angle from the horizontal to the vertical (this is restricted to 35° from the horizontal with the unshuttered version). Its wide range of base types and the fact that it is lightweight means that it can be installed into nearly any type of roof or wall structure.

The 630mm unit can be installed directly into glazing.



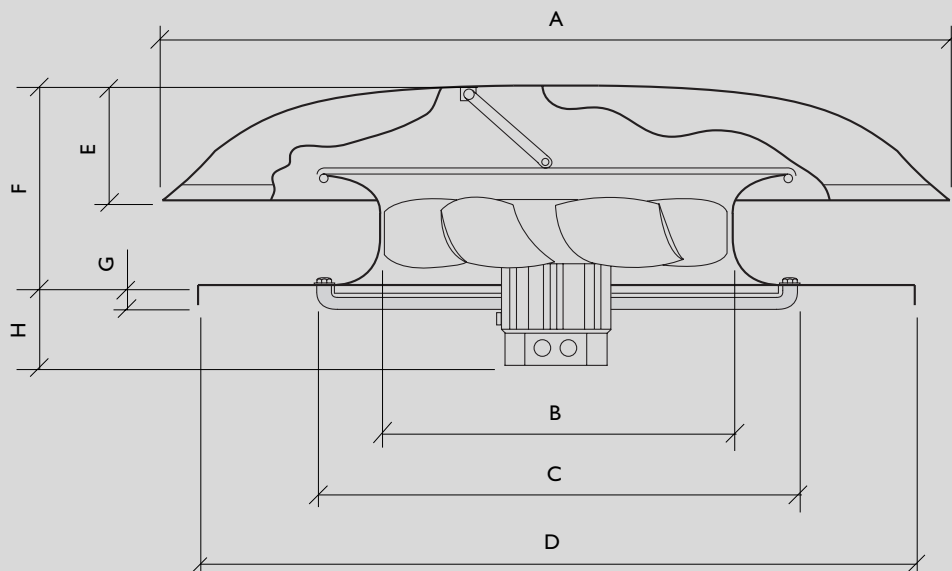
### PERFORMANCE

Tornado produces airflows of between 2.4m<sup>3</sup>/s and 5.6m<sup>3</sup>/s. Its sound power level output ranges from 75 to 84 LWA.



### Colt International Limited

New Lane Havant  
 Hampshire PO9 2LY  
 Tel +44(0)23 9245 1111  
 Fax +44(0)23 9245 4220  
 info@coltgroup.com  
 www.coltgroup.com



DIMENSIONS (mm)

Base type	Curb		Sheeting	
Unit Size	630	800	630	800
<b>Dim A</b>	1400	1750	1400	1750
<b>B</b>	634	803	634	803
<b>C</b>	855	1046	855	1046
<b>D</b>	1200	1200	1250	1250
<b>E</b>	180	334	180	334
<b>F</b>	300	494	300	494
<b>G</b>	25	25	-	-
<b>H</b>	160	240	160	240

PERFORMANCE DATA & WEIGHTS

Size	630L Low noise	630H Standard	800H Standard	630E Export	800E Export
Fan Nom Size (mm)	630	630	800	630	800
Power supply (V/Ph/Hz.)	380-420/3/50	380-420/3/50	380-420/3/50	380/3/60	380/3/60
Airflow (m <sup>3</sup> /s)	2.7	3.8	5.5	2.4	5.6
RPS	16	23	16	17	19
Sound power level LwA	75.0	81.0	83.0	74.0	84.0
Power (kW)	1.15	1.15	1.55	0.75	1.7
FLC (A)	3.2	3.2	4.1	2.3	4.7
SC (A)	11	11	17	4.4	19
PF	0.73	0.73	0.72	0.87	0.68
Wiring	Δ / Y	Δ / Y	Δ	Δ / Y	Δ / Y
Weight (kg)	34	34	65	34	65