

Liberator

Mechanical smoke & heat extract ventilator



Data Sheet

Liberator is a mechanical smoke extract ventilator which may be used for day to day ventilation as well as for smoke extract. Liberator meets the following time/ temperature classifications of EN 12101-3: F200 (200°C for 120 minutes), F300 (300°C for 60 minutes) and F400 (400°C for 120 minutes).

Liberator is suited to most industrial and commercial buildings and come in these options:

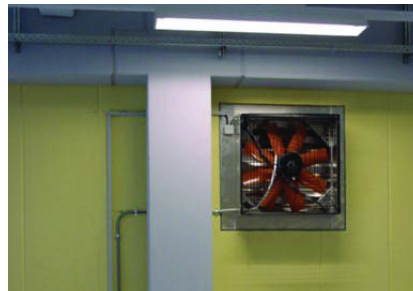
- T-Liberator: Roof mounted, with vertical discharge.
- W-Liberator: Wall mounted, with horizontal discharge.
- 630mm and 800mm nominal fan sizes.

All units mainly consist of lightweight, corrosion resistant aluminium.

T-Liberator

This unit is exclusively for use on roofs. It has four non-return shutters which close

when the unit stops, preventing rain entry. An aerodynamic cowl ensures that the air resistance is kept to a minimum, thereby reducing running costs and enhancing performance. The T-Liberator has a snowload class of SL 125.



W-Liberator

This unit is available in two variants.

The shutter arrangement is either an insulated flap (WL/FLAP) or a louvred ventilator (WL/FCO).

The shutter version with a flap as termination (WL/ FLAP) is opened by a gas spring and is pulled closed by a cable that is operated by a rotary electric motor. In the event of fire, this flap is opened and locked in the open position. This version is suitable for installation both into walls and onto roofs.

The shutter version with a louvred ventilator as termination (WL / FCO) is closed and held closed by a rotary electric motor. In the event of fire, the louvres open under force of the spring, and are held open. This version is suitable only for installation into walls.

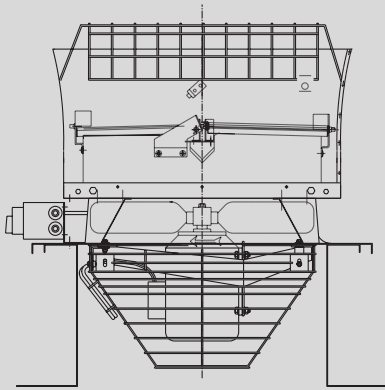
Both shutter versions have a fusible link to open the shutter at a pre-defined temperature. The WL/Flap version has a snowload class of SL 500.



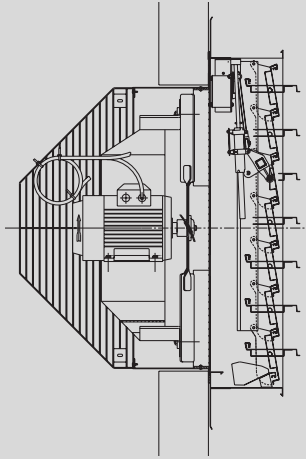
Colt International Limited

New Lane Havant
 Hampshire PO9 2LY
 Tel +44(0)23 9245 1111
 Fax +44(0)23 9245 4220
 info@coltgroup.com
 www.coltgroup.com

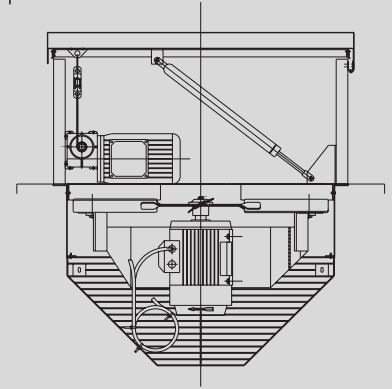
T-Liberator



**W-Liberator
WL/FCO**



**W-Liberator
WL/FLAP**



Type	T-Liberator		W-Liberator WL/FCO		W-Liberator WL/FLAP	
Description	<ul style="list-style-type: none"> ■ Roof installation only ■ Aerodynamic cowl ■ Simple construction ■ Certified to open against 125N/m² snow 		<ul style="list-style-type: none"> ■ Wall installation only ■ Low profile louvred termination 		<ul style="list-style-type: none"> ■ Illustration shows roof installation, but can also be installed into walls ■ Double insulated flap termination ■ Certified to open against 500 N/m² snow when installed in the roof 	
Fan nominal size	630mm/800mm		630mm/800mm		630mm/800mm	
Power supply (V/Ph/Hz.)	380-420/3/50		380-420/3/50		380-420/3/50	
	TL/3/06	TL/3/08	WL/3/06/FCO	WL/3/08/FCO	WL/3/06/FLAP	WL/3/08/FLAP
Airflow (m ³ /s)	4.1 or 2.8	5.9 or 4.4	3.7 or 2.6	6.1	3.7 or 2.6	6.1
RPS	23 or 16	16 or 12	23 or 16	16	23 or 16	16
Mean sound power level dB(A)	89 or 79	88 or 81	89 or 79	88	89 or 79	88
Power (kW)	1.5 or 0.75	1.5 or 0.75	1.1 or 0.75	1.5	1.1 or 0.75	1.5
FLC (A)	3.9 or 2.2	4.0 or 2.4	2.8 or 2.2	4.0	2.8 or 2.2	4.0
Wiring	Y	Y	Y	Y	Y	Y
Weight (kg)	61	78	60	105	70	115